

# opk SPACESHIP



≥580mm



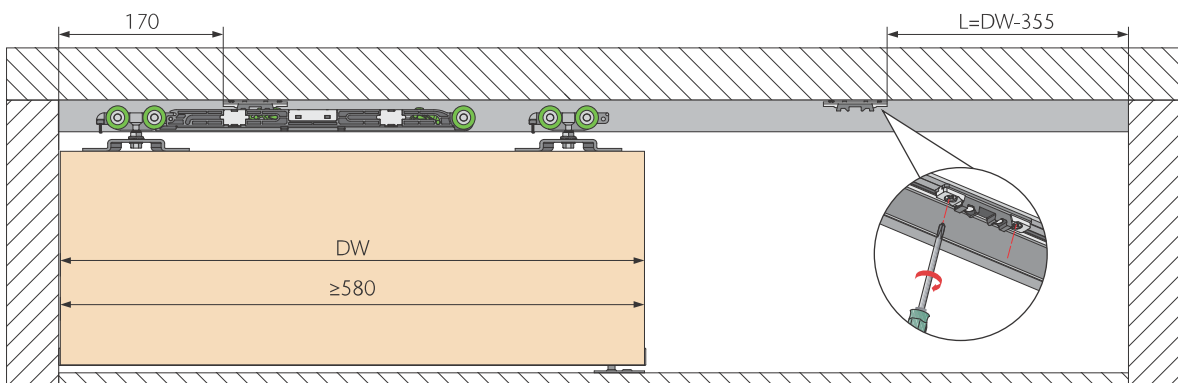
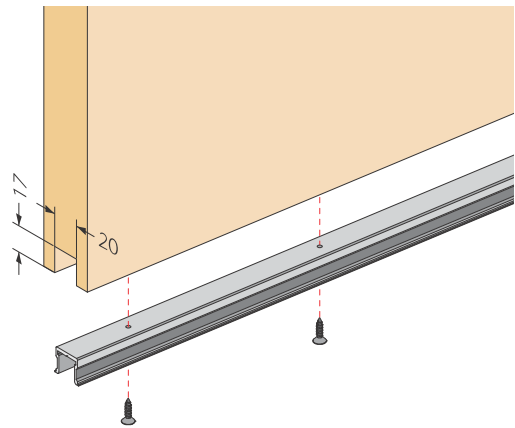
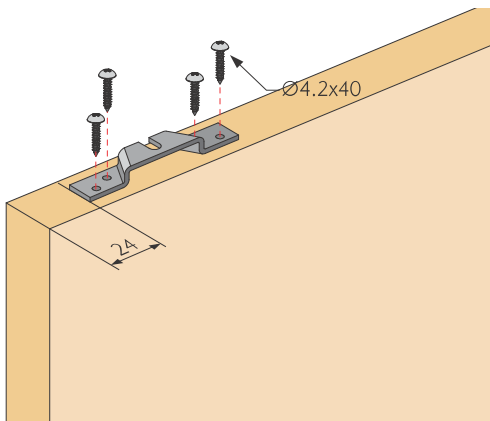
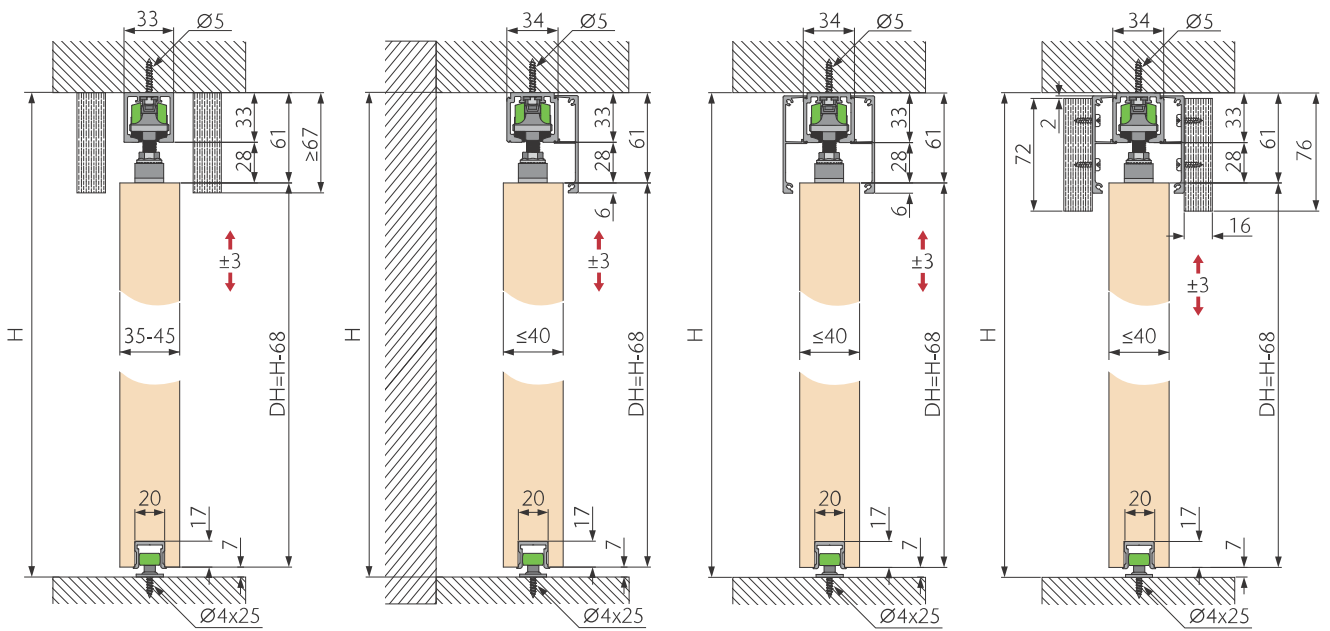
W 35-45mm  
G 8-10mm



# opk Spaceship W Deckenmontage / Ceiling Mounting



## Technische Zeichnung Technical drawing



# opk Spaceship W Deckenmontage / Ceiling Mounting



Art.-Nr./No.

|  |  |     |      |                |
|--|--|-----|------|----------------|
|  |  | ≤80 | ≥580 | 03-011-103-200 |
|--|--|-----|------|----------------|

## Konfiguration für 1 Tür

Configuration for 1 door



|   |  |   |
|---|--|---|
| <b>Laufwerk 2-Wege Dämpfer</b><br><i>Running part with two-way damper</i> |  | 1 |
| <b>Laufwerk</b><br><i>Running part (roller)</i>                           |  | 1 |
| <b>Aktivator</b><br><i>Activator</i>                                      |  | 2 |
| <b>Aufhängung Holz</b><br><i>Suspension bracket wood</i>                  |  | 2 |
| <b>Bodenführung 1 Rolle Holz</b><br><i>Floor guide 1 roller wood</i>      |  | 1 |
| <b>Endkappe Führungsschiene</b><br><i>Cover cap guiding track</i>         |  | 2 |
| <b>Zubehörset Holz</b><br><i>Accessories wood</i>                         |  | 1 |

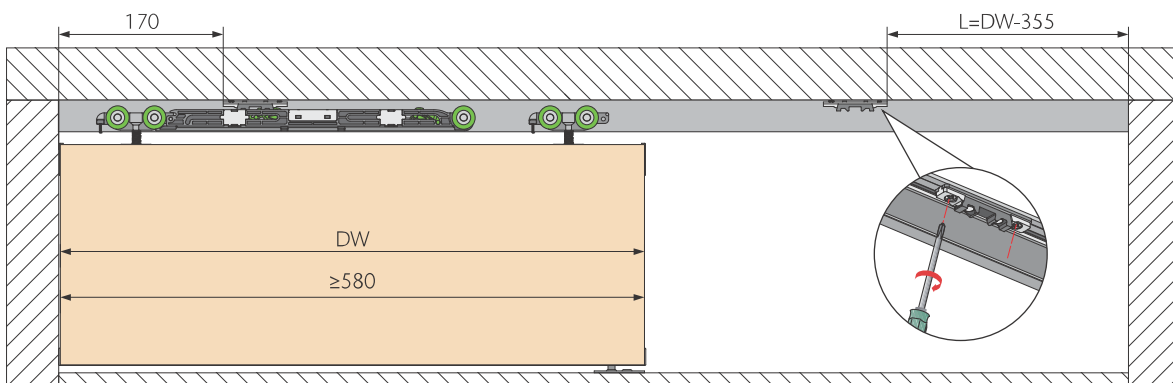
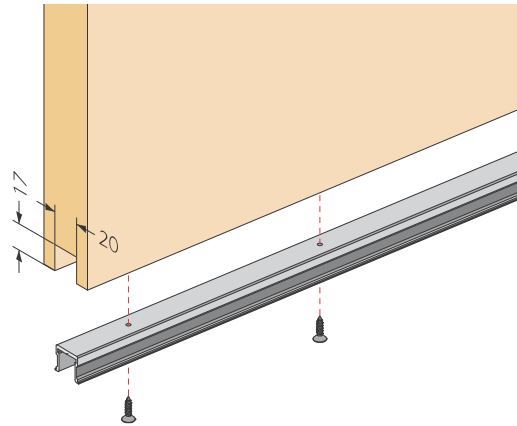
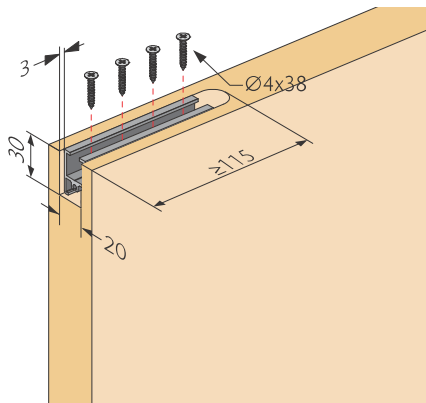
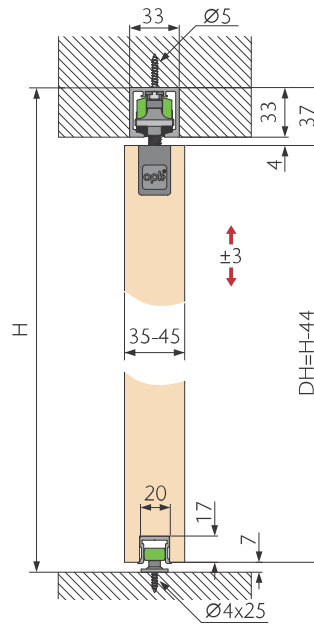
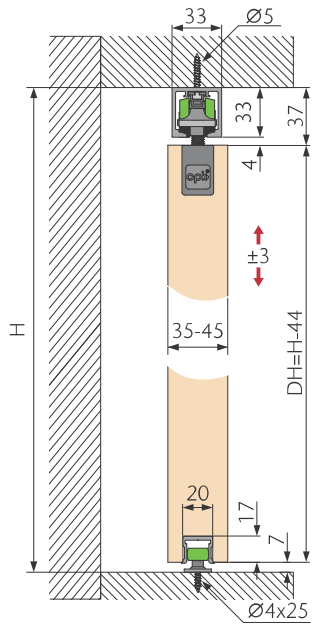
## opk Spaceship W Ceiling Mounting Kit (incl. running and guiding track)

|  |                |     |  |
|--|----------------|-----|--|
| <b>Kit Art.-Nr./No.</b>  | 03-011-102-E20 | QTY |  |
| <b>Laufschiene 33 mm (2050mm)</b><br><i>Running track (2050mm)</i>                                       |                | 1   |  |
| <b>Führungsschiene Holz (1250mm)</b><br><i>Guiding track wood (1250mm)</i>                               |                | 1   |  |
| <b>Konfiguration für 1 Tür</b><br><i>Configuration for 1 door (whole set fittings of 03-011-103-200)</i> |                | 1   |  |



# opk Spaceship W Minimal Deckenmontage / Ceiling Mounting

## Technische Zeichnung Technical drawing





# opk Spaceship W Minimal Deckenmontage / Ceiling Mounting



Art.-Nr./No.

|  |  |     |      |                |
|--|--|-----|------|----------------|
|  |  | ≤80 | ≥580 | 03-011-203-200 |
|--|--|-----|------|----------------|

## Konfiguration für 1 Tür

Configuration for 1 door



|   |  |   |
|---|--|---|
| <b>Laufwerk 2-Wege Dämpfer</b><br><i>Running part with two-way damper</i> |  | 1 |
| <b>Laufwerk</b><br><i>Running part (roller)</i>                           |  | 1 |
| <b>Aktivator</b><br><i>Activator</i>                                      |  | 2 |
| <b>Aufhängung Minimal Holz</b><br><i>Minimal bracket wood</i>             |  | 2 |
| <b>Bodenführung 1 Rolle Holz</b><br><i>Floor guide 1 roller wood</i>      |  | 1 |
| <b>Endkappe Führungsschiene</b><br><i>Cover cap guiding track</i>         |  | 2 |
| <b>Zubehörset Holz Minimal</b><br><i>Accessories wood minimal</i>         |  | 1 |

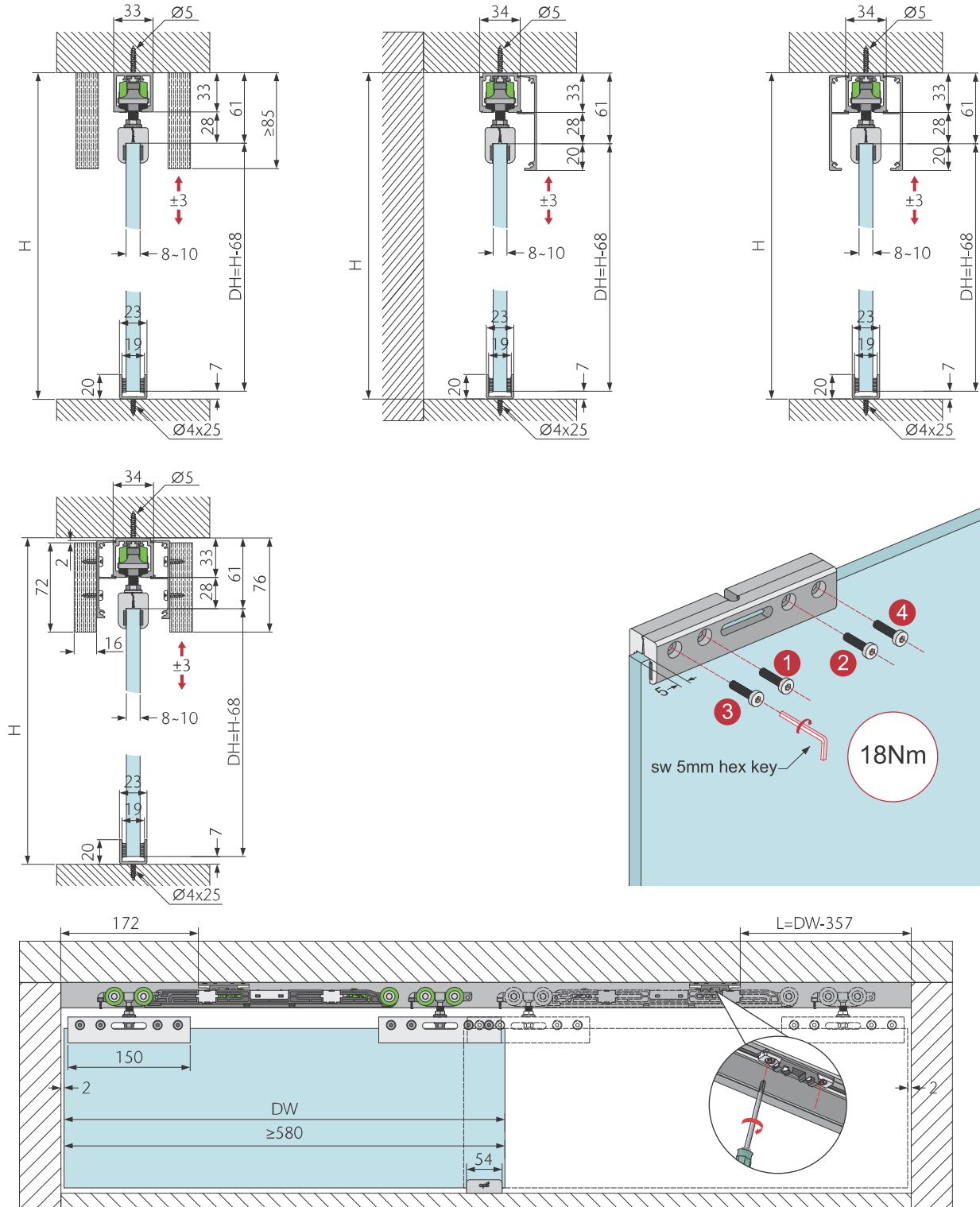
## opk Spaceship W Minimal Ceiling Mounting Kit (incl. running and guiding track)

|  |                |     |  |
|--|----------------|-----|--|
| <b>Kit Art.-Nr./No.</b>  | 03-011-202-E20 | QTY |  |
| <b>Laufschiene 33 mm (2050mm)</b><br><i>Running track (2050mm)</i>                                       |                | 1   |  |
| <b>Führungsschiene Holz (1250mm)</b><br><i>Guiding track wood (1250mm)</i>                               |                | 1   |  |
| <b>Konfiguration für 1 Tür</b><br><i>Configuration for 1 door (whole set fittings of 03-011-203-200)</i> |                | 1   |  |

# opk Spaceship G Deckenmontage / Ceiling Mounting



## Technische Zeichnung Technical drawing



# opk Spaceship G Deckenmontage / Ceiling Mounting



Art.-Nr./No.

|  |  |            |             |                       |
|--|--|------------|-------------|-----------------------|
|  |  | <p>≤80</p> | <p>≥580</p> | <p>03-011-303-200</p> |
|--|--|------------|-------------|-----------------------|

## Konfiguration für 1 Tür

Configuration for 1 door




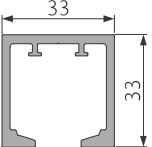

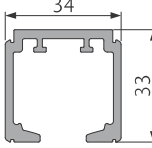

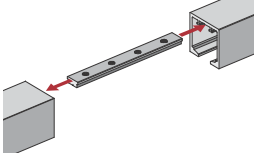

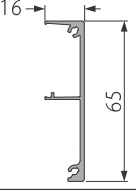

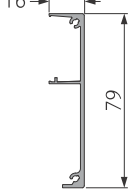

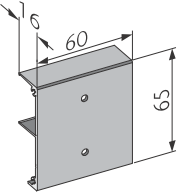

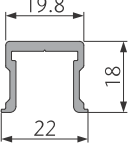

|  |  |          |
|--|--|----------|
| <p><b>Laufwerk 2-Wege Dämpfer</b><br/><i>Running part with two-way damper</i></p>    |  | <p>1</p> |
| <p><b>Laufwerk</b><br/><i>Running part (roller)</i></p>                              |  | <p>1</p> |
| <p><b>Aktivator</b><br/><i>Activator</i></p>   |  | <p>2</p> |
| <p><b>Klemmschuh Glas 8/10 mm</b><br/><i>Glass clamp</i></p>                         |  | <p>2</p> |
| <p><b>Bodenführung Glas inkl. Filz</b><br/><i>Floor guide glass incl. fleece</i></p> |  | <p>1</p> |
| <p><b>Zubehörset Glas</b><br/><i>Accessories glass</i></p>                           |  | <p>1</p> |

# opk Spaceship W/G Deckenmontage / Ceiling Mounting



## Schienen, Zubehör

Tracks, Accessories

| Produktbeschreibung<br>Description   | Material<br>Material                            | Farbe<br>Finish         | Länge<br>Length (mm) | Art.-Nr./No.   |
|--|---|-------------------------|----------------------|----------------|
| <b>Laufschiene 33 mm</b><br>Running track<br>                          | <b>Aluminium eloxiert</b><br>Anodized aluminium | <b>Silber</b><br>Silver | 2050                 | 03-016-252-E20 |
|  |   |                         | 2500                 | 03-016-252-E25 |
|  |   |                         | 3500                 | 03-016-252-E35 |
|  |   |                         | 5800                 | 03-016-252-E58 |
| <b>Laufschiene clip-in Blende</b><br>Running track click in cover<br>  | <b>Aluminium eloxiert</b><br>Anodized aluminium | <b>Silber</b><br>Silver | 2050                 | 03-016-252-H20 |
|  |   |                         | 2500                 | 03-016-252-H25 |
|  |   |                         | 3500                 | 03-016-252-H35 |
|  |   |                         | 5800                 | 03-016-252-H58 |
| <b>Verbinder Laufschiene</b><br>Connecting bracket<br>               | <b>Aluminium</b><br>Aluminium                   | <b>Roh</b><br>Raw       | 100                  | 03-015-000-400 |
| <b>Blende 65 mm</b><br>Decorative cover<br>                        | <b>Aluminium eloxiert</b><br>Anodized aluminium | <b>Silber</b><br>Silver | 2050                 | 03-016-25A-020 |
|  |   |                         | 2500                 | 03-016-25A-025 |
|  |   |                         | 3500                 | 03-016-25A-035 |
|  |   |                         | 5800                 | 03-016-25A-058 |
| <b>Blende 79 mm</b><br>Decorative cover<br>                        | <b>Aluminium eloxiert</b><br>Anodized aluminium | <b>Silber</b><br>Silver | 2050                 | 03-016-25B-020 |
|  |   |                         | 2500                 | 03-016-25B-025 |
|  |   |                         | 3500                 | 03-016-25B-035 |
|  |   |                         | 5800                 | 03-016-25B-058 |
| <b>Halterung Holzblende</b><br>Bracket wood cover<br>              | <b>Aluminium eloxiert</b><br>Anodized aluminium | <b>Silber</b><br>Silver | 60                   | 03-016-25D-000 |
| <b>Führungsschiene Holz</b><br>Guiding track wood<br>              | <b>Aluminium</b><br>Aluminium                   | <b>Roh</b><br>Raw       | 1250                 | 03-017-100-012 |
|  |   |                         | 2500                 | 03-017-100-025 |
| <b>Endkappe Laufschiene 33</b><br>Cover cap running track 33<br>  | <b>Kunststoff</b><br>Plastic                    | <b>Schwarz</b><br>Black | 1 Set                | 03-016-30C-E00 |